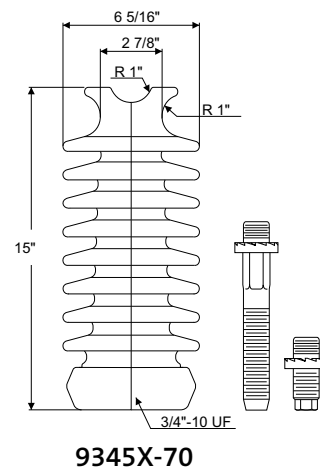
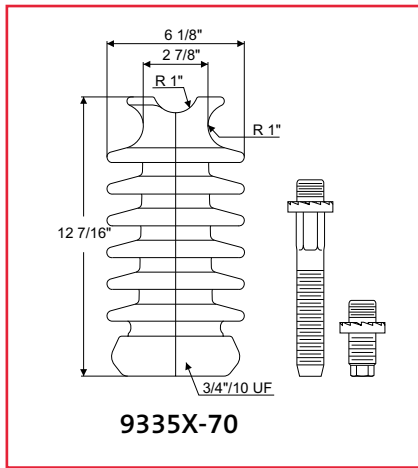
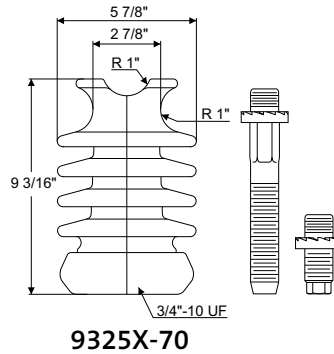


# Tie Top Line Post Insulators



CATALOG REFERENCE NUMBER	9325X-70	9335X-70	9345X-70
<b>ANSI CLASS (C29.7-1996 rev. 2002)</b>	57-1	57-2	57-3
<b>CRITICAL DISTANCES, inches</b>			
Dry arcing distance	6.5	9.5	12.2
Leakage distance	14	22.5	29.5
<b>MECHANICAL VALUES, pounds</b>			
Cantilever strength	2800	2800	2800
<b>ELECTRICAL VALUES, kV</b>			
Typical application voltage	25	35	46
Low-frequency dry flashover	90	115	135
Low-frequency wet flashover	60	70	100
Critical impulse flashover, positive	130	179	214
<b>RADIO INFLUENCE VOLTAGE DATA</b>			
Low-frequency test voltage, RMS to ground, kV	15	22	30
Maximum RIV at 1000 kHz, $\mu$ V	100	100	200

**Note 1:** ANSI 70 gray is standard, Brown available by request

**Note 2:** The insulators can be requested with M20 thread

**Note 3:** Available with short or long stud, sold separately